



PUMP COMPANY

Zoeller Family of Water Solutions™

Professional Series Sump Pump Model 53

**Zoeller's time proven quality
and an industry fixture**

Features:

- 3-year warranty
- 2-pole mechanical switch
- 3/10 HP 115V sump pump
- Performance up to 19.25' TDH
- Flows up to 43 gallons per minute
- Cast iron switch case, motor and pump housing
- Engineered thermoplastic base
- Corrosion-resistant, powder coated epoxy paint



100% factory tested



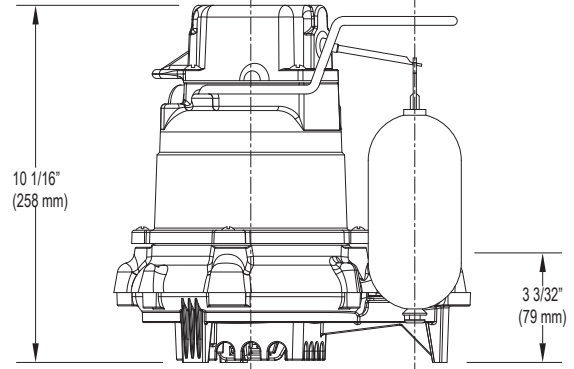
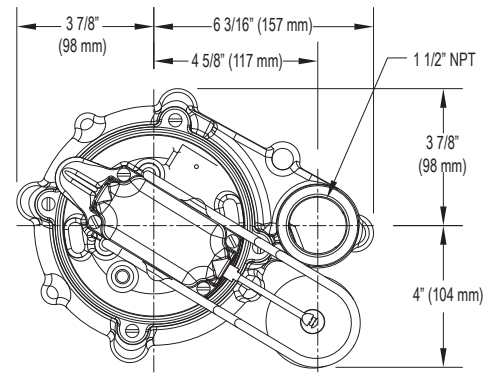
zoellerpumps.com

FM2958

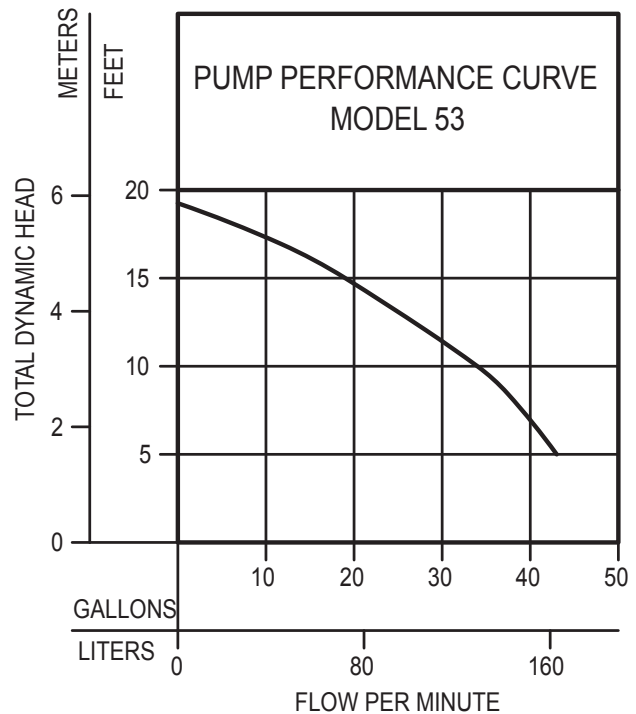
PRODUCT SPECIFICATIONS

MOTOR	Horse Power	3/10
	Voltage	115 or 230
	Phase	1 Ph
	Hertz	60 Hz
	RPM	1550
	Type	Shaded pole
	Insulation	Class B
	Amps	4.8 - 9.7
PUMP	Operation	Automatic or nonautomatic
	Auto On/Off Points	7-1/4" (18.4 cm) / 3" (7.6 cm)
	Discharge Size	1-1/2" NPT
	Solids Handling	1/2" (12 mm) spherical solids
	Cord Length	9' (3 m) automatic, 15' (5 m) nonautomatic
	Cord Type	UL listed, 3-wire, grounded plug
	Max. Head	19.25' (5.9 m)
	Max. Flow Rate	43 GPM (163 LPM)
	Max. Operating Temp.	130° F (54° C)
	Cooling	Oil filled
	Motor Protection	Auto reset thermal overload
	MATERIALS	Cap
Motor Housing		Cast iron or bronze
Pump Housing		Cast iron or bronze
Base		Cast iron, bronze or engineered thermoplastic
Upper Bearing		Sleeve bearing
Lower Bearing		Sleeve bearing
Mechanical Seals		Carbon and ceramic
Impeller Type		Non-clogging vortex
Impeller		Plastic, cast iron or bronze
Hardware		Stainless steel
Motor Shaft		AISI 1215 cold rolled steel
Gasket		Neoprene

NOTE: See model comparison chart for specific details.



SK858



All installation of controls, protection devices and wiring should be done by a qualified licensed electrician. All electrical and safety codes should be followed including the most recent National Electrical Code (NEC) and the Occupational Safety and Health Act (OSHA).

© Copyright 2015 Zoeller® Co. All rights reserved.

502-778-2731 | 800-928-7867 | 3649 Cane Run Road | Louisville, KY 40211-1961 | www.zoellerpumps.com